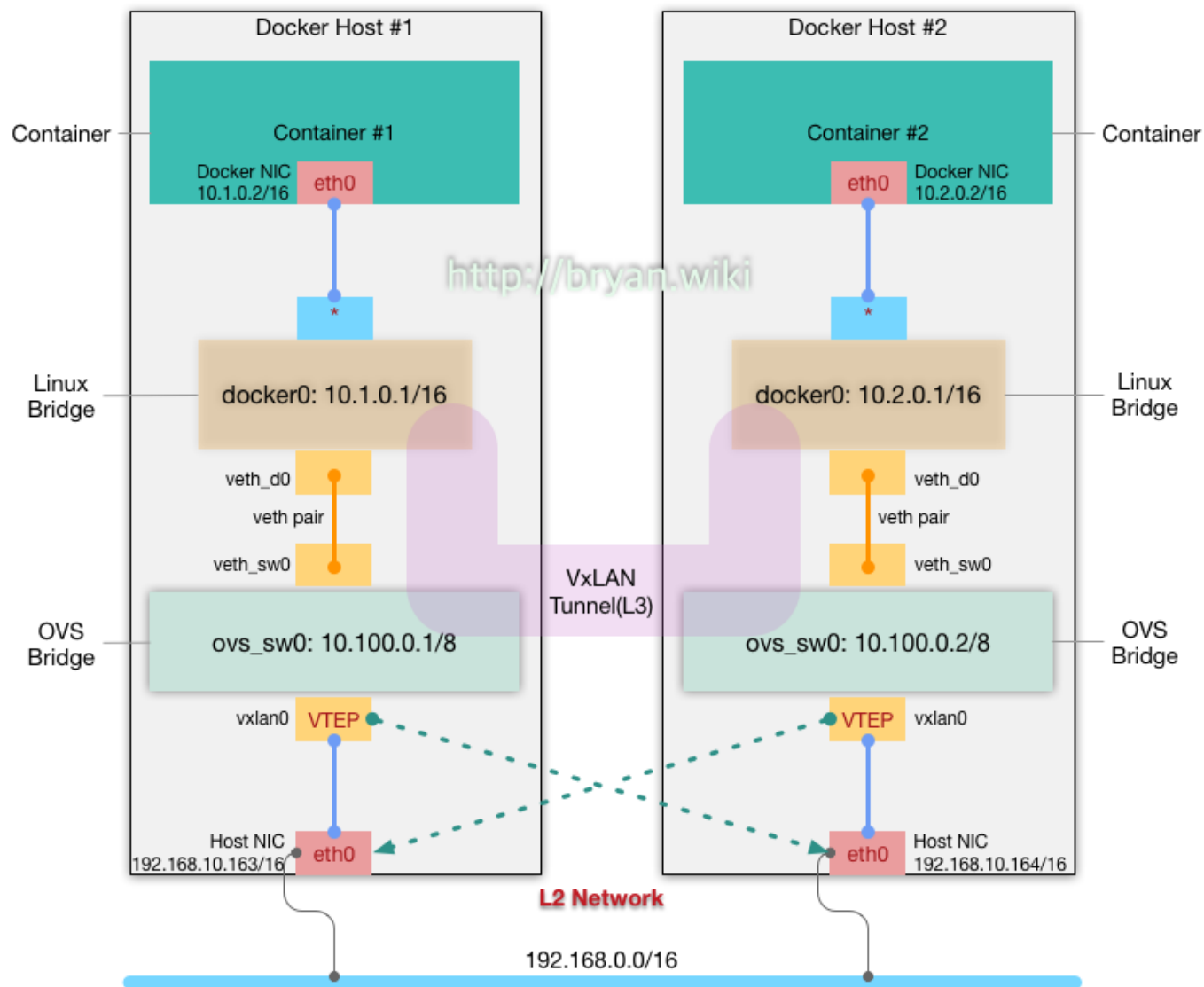


- openvswitch**      **vxlan** ..... 3
- ..... 3
- Open vSwitch**      **firewall** ..... 4
- Open vSwitch Bridge**    **VxLAN** ..... 4
- Linux Bridge**    **Open vSwitch Bridge**      , **Veth Pair** ..... 5
- libvirt network**    가 ..... 6
- ..... 7



# openvswitch vxlan

: <https://bryan.wiki/277> [Bryan's Tech-Log]



가 Flat L2 Network (SDN: Software-Defined-Network) 가 , VxLAN  
 , 2 가 Flat L2 Network (SDN: Software-Defined-Network) 가 , VxLAN  
 Underlay) 가 Flat L2 Network (SDN: Software-Defined-Network) 가 , VxLAN  
 L3 (SDN) 가 Flat L2 Network (SDN: Software-Defined-Network) 가 , VxLAN  
 Docker Container Overlay)가 가 , VxLAN  
 가 가 , VxLAN  
 OVS Bridge 가 (10.0.0.0/8)가 Linux  
 Bridge(docker0) (10.x.0.0/16) 가

- Flat Network Docker Host(VM) 2
- Docker Host #1: CentOS 7.3 Minimal Server(1611 ver), 192.168.10.163/16
- Docker Host #2: CentOS 7.3 Minimal Server(1611 ver), 192.168.10.164/16

## Open vSwitch firewall

- openvswitch [CentOS 7](#) [ovs](#)

```
yum clean all
yum install -y epel-release https://www.rdoproject.org/repos/rdo-release.rpm
yum install -y firewalld docker openvswitch bridge-utils
yum update -y
systemctl start openvswitch firewalld
systemctl enable openvswitch firewalld
```

- VxLAN UDP 4789, 8472 . firewall 2

```
firewall-cmd --add-port=4789/udp --add-port=8472/udp
firewall-cmd --permanent --add-port=4789/udp --add-port=8472/udp
```

- trusted 10.\*.\*.\* 가 (docker0 10.x.0.0/16 : 10.0.0.0/8)
- : docker0 172.17.0.0/16 172.18.0.0/16 ... 172.16.0.0/12

```
firewall-cmd --permanent --zone=trusted --add-source=10.0.0.0/8
```

## Open vSwitch Bridge VxLAN

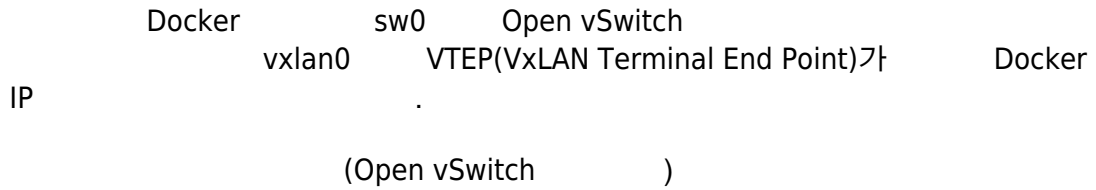
- docker01 Open vSwitch

```
[root@docker01 ~#] ovs-vsctl add-br ovs_sw0
[root@docker01 ~#] ip addr add 10.100.0.1/8 dev ovs_sw0 && ip link set dev ovs_sw0 up
[root@docker01 ~#] ovs-vsctl add-port ovs_sw0 vxlan0 -- set Interface vxlan0 type=vxlan options:remote_ip=192.168.10.164
```

- docker02 Open vSwitch

```
[root@docker02 ~#] ovs-vsctl add-br ovs_sw0
[root@docker02 ~#] ip addr add 10.100.0.2/8 dev ovs_sw0 && ip link set dev ovs_sw0 up
```

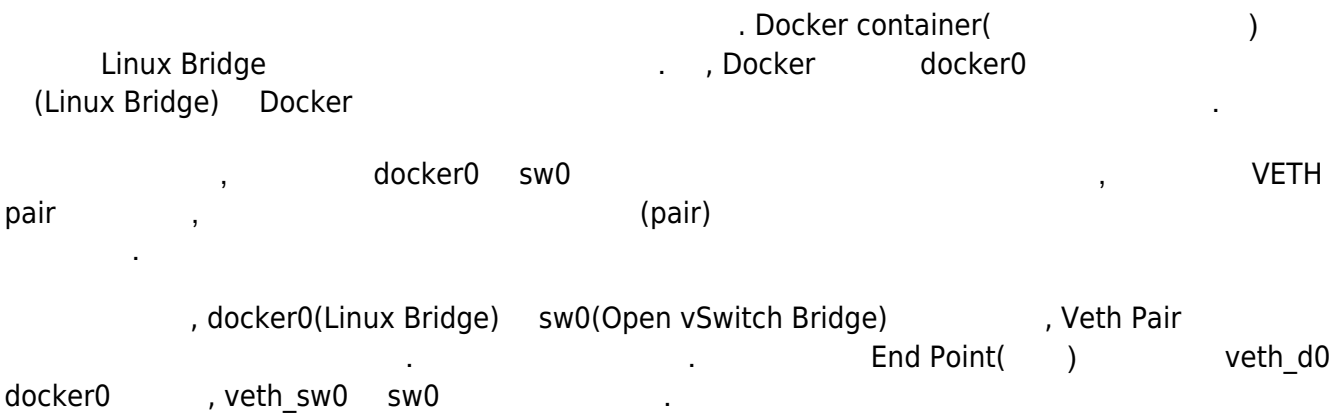
```
[root@docker02 ~]# ovs-vsctl add-port ovs_sw0 vxlan0 -- set Interface vxlan0
type=vxlan options:remote_ip=192.168.10.163
```



```
[root@docker01 ~]# ping 10.100.0.2
PING 10.100.0.2 (10.100.0.2) 56(84) bytes of data.
64 bytes from 10.100.0.2: icmp_seq=1 ttl=64 time=2.43 ms
64 bytes from 10.100.0.2: icmp_seq=2 ttl=64 time=0.418 ms
64 bytes from 10.100.0.2: icmp_seq=3 ttl=64 time=0.333 ms
64 bytes from 10.100.0.2: icmp_seq=4 ttl=64 time=0.354 ms
64 bytes from 10.100.0.2: icmp_seq=5 ttl=64 time=0.410 ms
^C
--- 10.100.0.2 ping statistics ---
5 packets transmitted, 5 received, 0% packet loss, time 4001ms
rtt min/avg/max/mdev = 0.333/0.790/2.438/0.824 ms
```

10.100.0.1/8 10.100.0.2/8 , VxLAN

## Linux Bridge Open vSwitch Bridge , Veth Pair



```
[root@docker01 ~]# ip link add veth_sw0 type veth peer name veth_d0
[root@docker01 ~]# ovs-vsctl add-port ovs_sw0 veth_sw0
[root@docker01 ~]# brctl addif docker0 veth_d0
[root@docker01 ~]# ip link set dev veth_sw0 up
[root@docker01 ~]# ip link set dev veth_d0 up
```

docker02 . End Point docker01  
script

```
[root@docker02 ~]# ip link add veth_sw0 type veth peer name veth_d0
[root@docker02 ~]# ovs-vsctl add-port ovs_sw0 veth_sw0
[root@docker02 ~]# brctl addif docker0 veth_d0
[root@docker02 ~]# ip link set dev veth_sw0 up
[root@docker02 ~]# ip link set dev veth_d0 up
```

## Docker

```
[root@docker01 ~]# ovs-vsctl show
f3c8825d-73ba-4ee5-a136-3db14a32e990
  Bridge "ovs_sw0"
    Port "veth_sw0"
      Interface "veth_sw0"
    Port "ovs_sw0"
      Interface "ovs_sw0"
        type: internal
    Port "vxlan0"
      Interface "vxlan0"
        type: vxlan
        options: {remote_ip="192.168.10.164"}
  ovs_version: "2.5.2"
```

```
[root@docker01 ~]# brctl show
bridge name bridge id STP enabled interfaces
docker0 8000.0242f84de852 no veth_d0
```

## libvirt network 가

kvm guest      vxlan      Virtual Network

vxnet0.xml

```
<network>
  <name>vxnet0</name>
  <forward mode='bridge' />
  <bridge name='ovs-sw0' />
  <virtualport type='openvswitch' />
</network>
```

</WRPA>

xml      libvirt Virtual Network

```
virsh net-define vxnet0.xml
```

```
virsh net-start vxnet0
virsh net-autostart vxnet0
```

GuestVM      vxnet0

- <https://bryan.wiki/277>
- <https://bryan.wiki/279>
- <https://www.joinc.co.kr/w/man/12/OpenVSwitch/VXLAN>

From:

<https://atl.kr/dokuwiki/> - **AllThatLinux!**

Permanent link:

[https://atl.kr/dokuwiki/doku.php/openvswitch%EB%A5%BC\\_%ED%86%B5%ED%95%9C\\_vxlan\\_%EA%B5%AC%EC%84%B1?rev=1625404791](https://atl.kr/dokuwiki/doku.php/openvswitch%EB%A5%BC_%ED%86%B5%ED%95%9C_vxlan_%EA%B5%AC%EC%84%B1?rev=1625404791)

Last update: **2021/07/04 13:19**

