

Multiple Gateway 3

..... 3

PING 3

NIC 4

 6

 8

rp_filter 8

 10

 1 10

 set up eth0 10

 가 10

 2 11

 set up eth1 11

 11

 1 11

 2 12

 14

Multiple Gateway

— 2024/04/19 04:09

NIC, Default Gateway

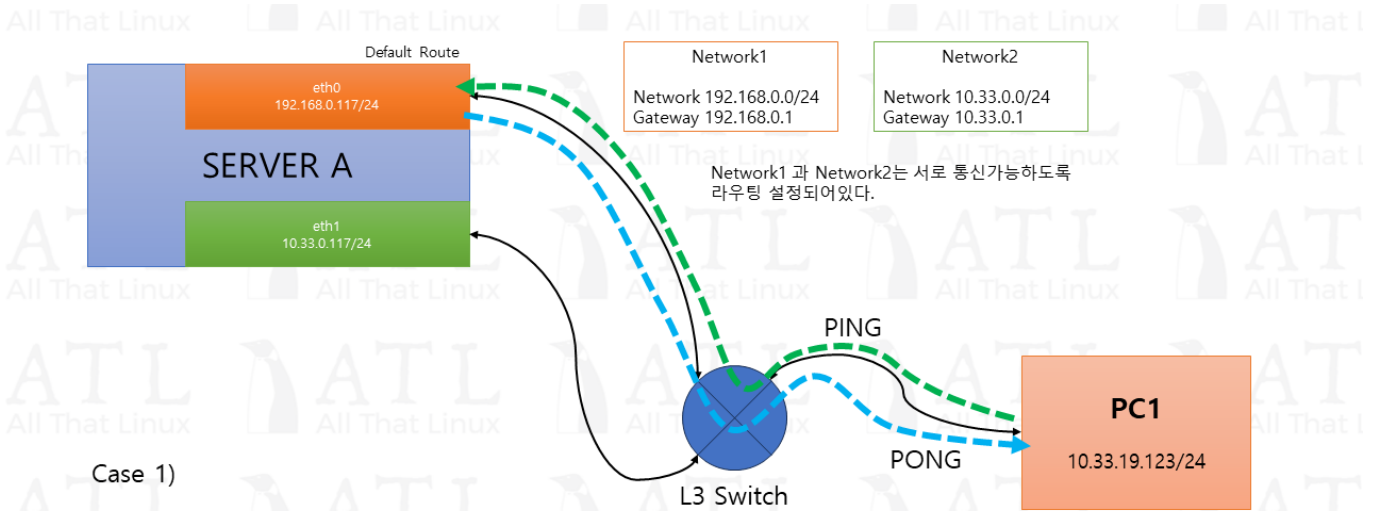


가

SERVER-A

```
[root@test-rhel7 network-scripts]# ip r
default via 192.168.0.1 dev eth0
10.33.0.0/24 dev eth1 proto kernel scope link src 10.33.0.117
169.254.0.0/16 dev eth0 scope link metric 1002
169.254.0.0/16 dev eth1 scope link metric 1003
192.168.0.0/24 dev eth0 proto kernel scope link src 192.168.0.117
[root@test-rhel7 network-scripts]#
```

PING



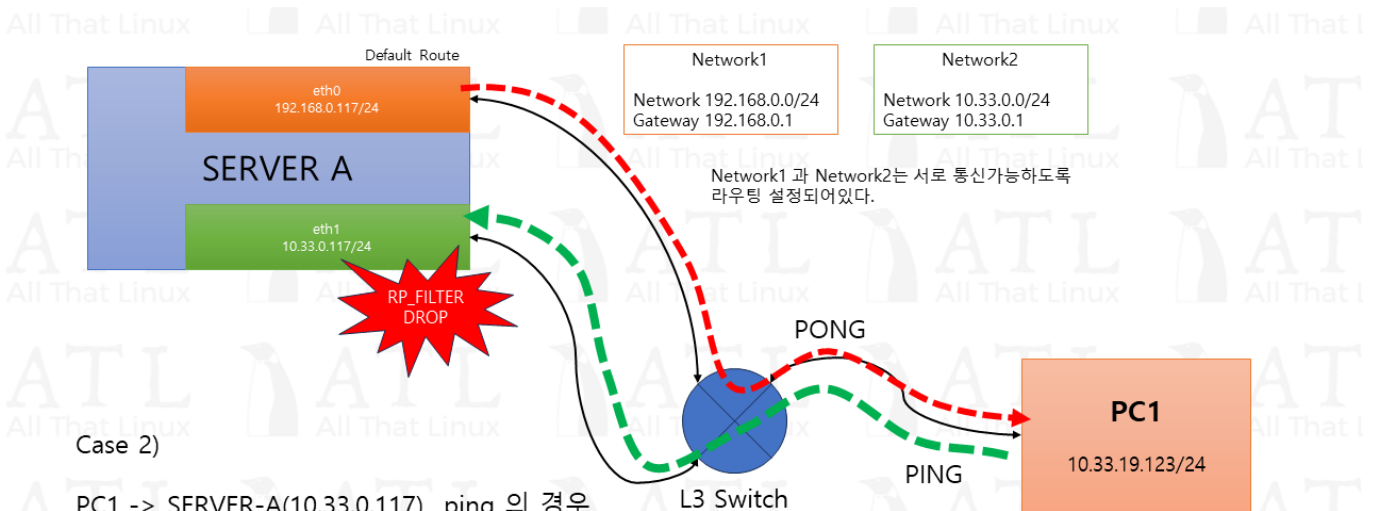
Case 1)

PC1 -> SERVER A(192.168.0.117) ping 의 경우

Default Route가 eth0 이므로 위 그림과 같이 eth0을 통해 정상적으로 ping이 동작한다.

PC1 SERVER-A default route eth0 NIC 192.168.0.117

NIC



Case 2)

PC1 -> SERVER-A(10.33.0.117) ping 의 경우

SERVER-A 에서 응답을 보내기 위한 대상 PC1의 주소가 10.33.19.123 이기 때문에 default route인 eth0 NIC 로 응답을 해야만한다.

애초에 그 이전에 RP_FILTER에 의해 SRC ADDRESS가 적절한 인터페이스로 들어온것인지 체크되기 때문에 이런경우 eth1 에서 패킷이 DROP되어 버린다. 따라서 PONG 응답 패킷자체가 생성되지 않는다.

SERVER-A NIC eth1 10.33.0.117

tcpdump

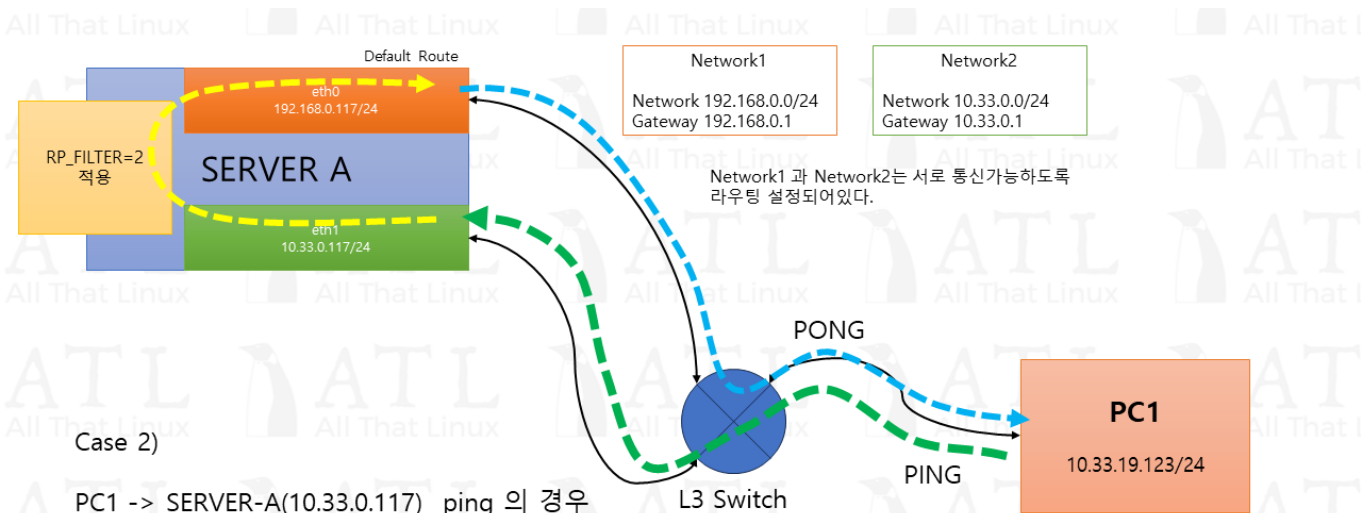
```

tcpdump: verbose output suppressed, use -v or -vv for full protocol decode
listening on lo:, link-type EN10MB (Ethernet), capture size 262144 bytes
[Interface:eth1:] 00:16:15.843703 IP 10.33.19.123 > 10.33.0.117: ICMP
echo request, id 50, seq 54, length 64
[Interface:eth1:] 00:16:16.867902 IP 10.33.19.123 > 10.33.0.117: ICMP
echo request, id 50, seq 55, length 64
[Interface:eth1:] 00:16:17.891712 IP 10.33.19.123 > 10.33.0.117: ICMP
echo request, id 50, seq 56, length 64
[Interface:eth1:] 00:16:18.915671 IP 10.33.19.123 > 10.33.0.117: ICMP
echo request, id 50, seq 57, length 64
[Interface:eth1:] 00:16:19.939879 IP 10.33.19.123 > 10.33.0.117: ICMP
echo request, id 50, seq 58, length 64
[Interface:eth1:] 00:16:20.963866 IP 10.33.19.123 > 10.33.0.117: ICMP
echo request, id 50, seq 59, length 64
[Interface:eth1:] 00:16:21.987843 IP 10.33.19.123 > 10.33.0.117: ICMP
echo request, id 50, seq 60, length 64

```

PING eth1 가 SERVER-A OS
 rp_filter가 RFC3704 Strict mode (=1)
 rp_filter

rp_filter



Case 2)

PC1 -> SERVER-A(10.33.0.117) ping 의 경우

SERVER-A의 sysctl.conf 에 아래설정을 추가하면

```

net.ipv4.conf.default.rp_filter = 2
net.ipv4.conf.all.rp_filter = 2

```

엄격한 RP_FILTER규칙을 느슨하게 설정하여 응답을 적절한 인터페이스로 할 수 있게 된다.

rp_filter loose mode (=2)
 가

rp_filter /etc/sysctl.conf 가 .

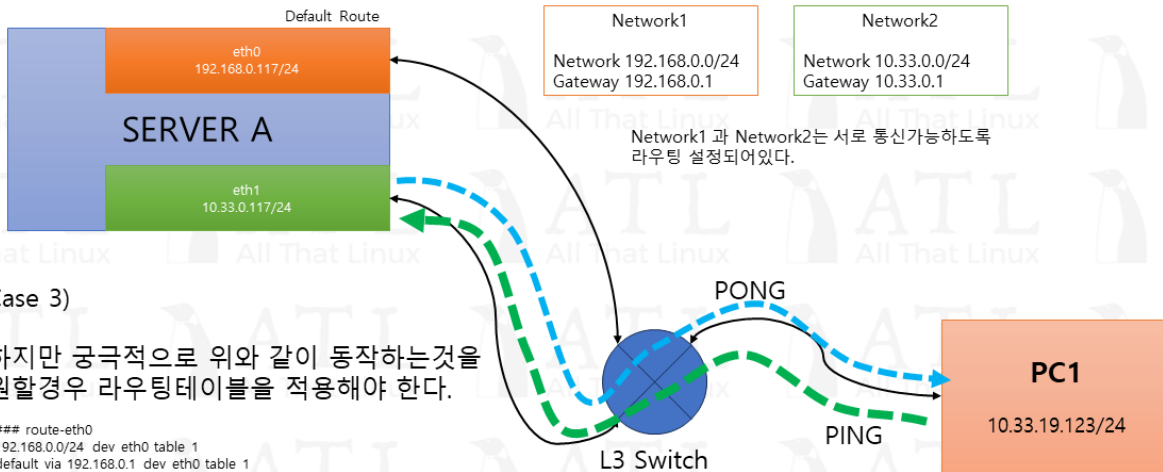
```
net.ipv4.conf.default.rp_filter = 2
net.ipv4.conf.all.rp_filter = 2
```

PING SERVER-A tcpdump

```
[Interface:eth1:] 00:35:12.483899 IP 10.33.19.123 > 10.33.0.117: ICMP
echo request, id 50, seq 1164, length 64
[Interface:eth0:] 00:35:13.507619 IP 10.33.0.117 > 10.33.19.123: ICMP
echo reply, id 50, seq 1165, length 64
[Interface:eth1:] 00:35:13.507587 IP 10.33.19.123 > 10.33.0.117: ICMP
echo request, id 50, seq 1165, length 64
[Interface:eth0:] 00:35:14.531632 IP 10.33.0.117 > 10.33.19.123: ICMP
echo reply, id 50, seq 1166, length 64
[Interface:eth1:] 00:35:14.531606 IP 10.33.19.123 > 10.33.0.117: ICMP
echo request, id 50, seq 1166, length 64
[Interface:eth0:] 00:35:15.555904 IP 10.33.0.117 > 10.33.19.123: ICMP
echo reply, id 50, seq 1167, length 64
[Interface:eth1:] 00:35:15.555858 IP 10.33.19.123 > 10.33.0.117: ICMP
echo request, id 50, seq 1167, length 64
```

PING request eth1 eth0 .

가 .



Case 3)

하지만 궁극적으로 위와 같이 동작하는 것을 원할 경우 라우팅테이블을 적용해야 한다.

```

### route-eth0
192.168.0.0/24 dev eth0 table 1
default via 192.168.0.1 dev eth0 table 1

### route-eth1
10.33.0.0/24 dev eth1 table 2
default via 10.33.0.1 dev eth1 table 2

### rule-eth0
iif eth0 priority 1 table 1
from 192.168.0.117 priority 1 table 1

### rule-eth1
iif eth1 priority 1 table 1
from 10.33.0.117 priority 1 table 2

```

```

eth1 route PC1 → SERVER-A eth1(10.33.0.117) 가 PC1 IP가 10.33.19.123 SERVER-A default

```

```

eth0 1 192.168.0.1
./etc/sysconfig/network-script/route-eth0

```

```

### /etc/sysconfig/network-script/route-eth0
192.168.0.0/24 dev eth0 table 1
default via 192.168.0.1 dev eth0 table 1

```

```

가 eth1 2 10.33.0.1
./etc/sysconfig/network-script/route-eth1

```

```

### /etc/sysconfig/network-script/route-eth1
10.33.0.0/24 dev eth1 table 2
default via 10.33.0.1 dev eth1 table 2

```

```

eth0 iif(income interface)가 eth0 1 rule
eth0 IP(192.168.0.117) 1 rule
./etc/sysconfig/network-script/rule-eth0

```

```

### /etc/sysconfig/network-script/rule-eth0
iif eth0 table 1

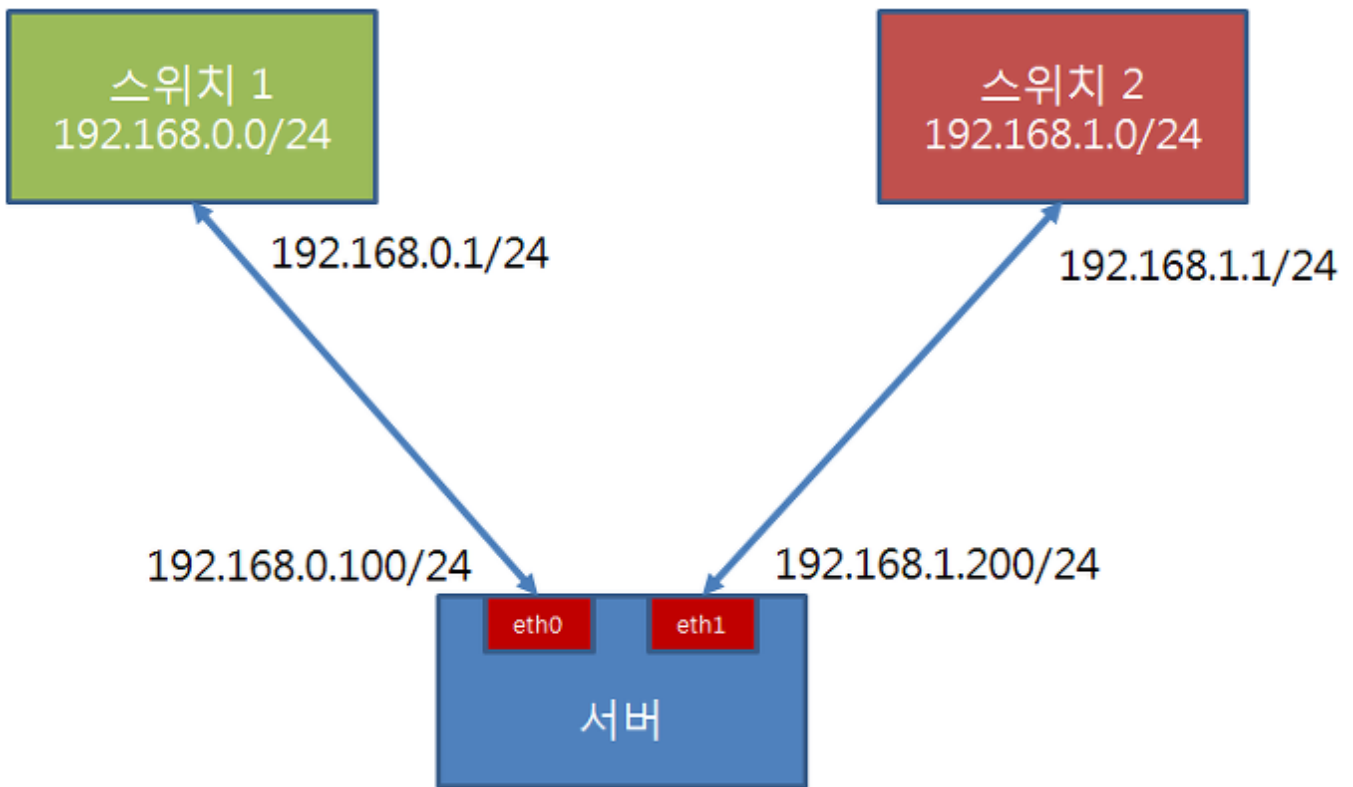
```

```
from 192.168.0.117 table 1
```

```
가 eth1 iif(income interface)가 eth1 2  
rule . eth1 IP(10.33.0.117) 2 rule
```

```
/etc/sysconfig/network-script/rule-eth1
```

```
### /etc/sysconfig/network-script/rule-eth1  
iif eth1 table 1  
from 10.33.0.117 table 2
```



```
192.168.0.0/24 192.168.1.0/24 IP 가 . 가
```

```
가 192.168.0.1 eth0  
NIC .
```

rp_filter

```
rp_filter .
```


Reverse Path Filtering(rp_filter)

IP

IP forwarding

RP Filtering
가

<https://www.kernel.org/doc/Documentation/networking/ip-sysctl.txt>

rp_filter

rp_filter - INTEGER

0 - No source validation.

1 - Strict mode as defined in RFC3704 Strict Reverse Path

Each incoming packet is tested against the FIB and if the interface is not the best reverse path the packet check will fail.

By default failed packets are discarded.

2 - Loose mode as defined in RFC3704 Loose Reverse Path

Each incoming packet's source address is also tested against the FIB and if the source address is not reachable via any interface the packet check will fail.

Current recommended practice in RFC3704 is to enable strict mode to prevent IP spoofing from DDos attacks. If using asymmetric routing or other complicated routing, then loose mode is recommended.

The max value from conf/{all,interface}/rp_filter is used when doing source validation on the {interface}.

Default value is 0. Note that some distributions enable it in startup scripts.

- 0
- RHEL 6 <http://tools.ietf.org/html/rfc3704>
- Strict mode() _____ IP 가
_____ 가 IP
_____ 가 가 가
- RHEL 7+ IPReversePathFilter 가 가 . 가
- IP
- RHEL 5 0() 1() 가 가 . 1()

```
[root@localhost ~]# sysctl -w "net.ipv4.conf.default.rp_filter=2"
[root@localhost ~]# sysctl -w "net.ipv4.conf.all.rp_filter=2"
```

/etc/sysctl.conf 가 .

- <https://access.redhat.com/solutions/53031>
- <https://access.redhat.com/solutions/30564>

1

set up eth0

/etc/iproute2/rt_tables

```
# cat /etc/iproute2/rt_tables
# echo "# dual nic-gateway below" >> /etc/iproute2/rt_tables
# echo "10 eth0table" >> /etc/iproute2/rt_tables
# cat /etc/iproute2/rt_tables
```

가

```
# ip route add 192.168.0.0/24 dev eth0 src 192.168.0.100 table eth0table
# ip route add default via 192.168.0.1 dev eth0 table eth0table

# ip rule add from 192.168.0.100/32 table eth0table
# ip rule add to 192.168.0.100 table eth0table

# ip route flush cache
```

```
# vi /etc/sysconfig/network-scripts/route-eth0

192.168.0.0 dev eth0 src 192.168.0.100 table eth0table
default via 192.168.0.1 dev eth0 table eth0table
```

```
# vi /etc/sysconfig/network-scripts/rule-eth0

from 192.168.0.100/32 table eth0table
to 192.168.0.100 table eth0table
```

2

set up eth1

/etc/iproute2/rt_tables

```
# cat /etc/iproute2/rt_tables
# echo "# dual nic-gateway below" >> /etc/iproute2/rt_tables
# echo "11 eth1table" >> /etc/iproute2/rt_tables
# cat /etc/iproute2/rt_tables
```

```
# ip route add 192.168.1.0/24 dev eth1 src 192.168.1.200 table eth1table
# ip route add default via 192.168.1.1 dev eth1 table eth1table

# ip rule add from 192.168.1.200/32 table eth1table
# ip rule add to 192.168.1.200 table eth1table

# ip route flush cache
```

```
# vi /etc/sysconfig/network-scripts/route-eth1

192.168.1.0 dev eth1 src 192.168.1.200 table eth1table
default via 192.168.1.1 dev eth1 table eth1table
```

```
# vi /etc/sysconfig/network-scripts/rule-eth1

from 192.168.1.200/32 table eth1table
to 192.168.1.200 table eth1table
```

network .

1

가

가

NIC

A IP 210.10.10.11/25 GW 210.10.10.1

B IP 10.1.10.11/24 GW 10.1.10.1

```
[root@server network-scripts]# cat route-ens192
210.10.10.0/25 dev ens192 table ens192table
default via 210.10.10.1 dev ens192 table ens192table

[root@server network-scripts]# cat route-ens224
10.1.10.0/24 dev ens224 table ens224table
default via 10.1.10.1 dev ens224 table ens224table

[root@server network-scripts]# cat rule-ens192
from 210.10.10.11/32 table ens192table priority 100

[root@server network-scripts]# cat rule-ens224
from 10.1.10.11/32 table ens224table priority 200
```

가

```
#
# L4 network route
#
10 ens192table
11 ens224table
```

2

- eth0

A 192.168.0.0/24 IPADDRESS 192.168.0.10 GATEWAY 192.168.0.1

- eth1

B 10.0.0.0/24 IPADDRESS 10.0.0.30 GATEWAY 10.0.0.1

```
TYPE=Ethernet
BOOTPROTO=none
NAME=eth0
DEVICE=eth0
IPADDR=192.168.0.10
NETMASK=255.255.255.0
#GATEWAY=192.168.0.1 # Gateway
ONBOOT=yes
NM_CONTROLLED=no
```

```
TYPE=Ethernet
BOOTPROTO=none
NAME=eth1
DEVICE=eth1
IPADDR=10.0.0.30
NETMASK=255.255.255.0
#GATEWAY=10.0.0.1 # Gateway
ONBOOT=yes
NM_CONTROLLED=no
```

가

가

```
default nexthop via 192.168.0.1 weight 1 nexthop via 10.0.0.1 weight 1
```

```
default nexthop via 192.168.0.1 weight 1 nexthop via 10.0.0.1 weight 1
```

nextHop

```
iif eth0 table 1
from 192.168.0.10 table 1
```

```
iif eth1 table 2
from 10.0.0.30 table 2
```

ip route

```
[root@test ~]# ip r
default
    nexthop via 192.168.0.1 dev eth0 weight 1
    nexthop via 10.0.0.1 dev eth1 weight 1
169.254.0.0/16 dev eth0 scope link metric 1002
169.254.0.0/16 dev eth1 scope link metric 1003
192.168.0.0/24 dev eth0 proto kernel scope link src 192.168.0.10
10.0.0.0/24 dev eth1 proto kernel scope link src 10.0.0.30
```

- <https://access.redhat.com/solutions/19596>
- <https://access.redhat.com/solutions/288823>
- <http://capsuleer.tistory.com/97>
- <https://access.redhat.com/solutions/30564>
- http://jensd.be/468/linux/two-network-cards-rp_filter
- https://zetawiki.com/wiki/%EB%A6%AC%EB%88%85%EC%8A%A4_%EC%8A%A4%ED%83%9C%ED%8B%B1_%EB%9D%BC%EC%9A%B0%ED%8C%85_%EC%84%A4%EC%A0%95

From:
<https://atl.kr/dokuwiki/> - **AllThatLinux!**

Permanent link:
https://atl.kr/dokuwiki/doku.php/multiple_gateway_%EC%84%A4%EC%A0%95?rev=1713501717

Last update: **2024/04/19 04:41**

