

- Ironic** 3
- Neutron** 3
- 3
- Cleaning Network 3
- Provisioning Network 3
- Tenant Network 3
- 3
- 5
- Neutron** 6
- Neutron** 6
- 7
- 7
- 9
- SDN** 11
- 13

ironic_

Last update: 2024/10/11 06:54
- https://atl.kr/dokuwiki/doku.php/ironic_%EB%B2%A0%EC%96%B4%EB%A9%94%ED%83%B8_%EA%B4%80%EB%A6%AC_%EC%84%9C%EB%B9%84%EC%8A%A4%EC%9D%98_%EB%84%A4%ED%8A%B8%EC%9B%8C%ED%81%AC_%EB%AA%A8%EB%8D%B8?rev=1728629657
-
-

Ironic

Neutron

Ironic (VM) OpenStack API Neutron 가 가 . “ ”

가 (VM) , Ironic Neutron ml2 가 가

Cleaning Network

Cleaning Network: (clean) “ ” 가

가 provider-VLAN . VLAN

Provisioning Network

Provisioning Network: (, , PXE)

가 Provisioning Cleaning , Ironic .)

가 provider-VLAN

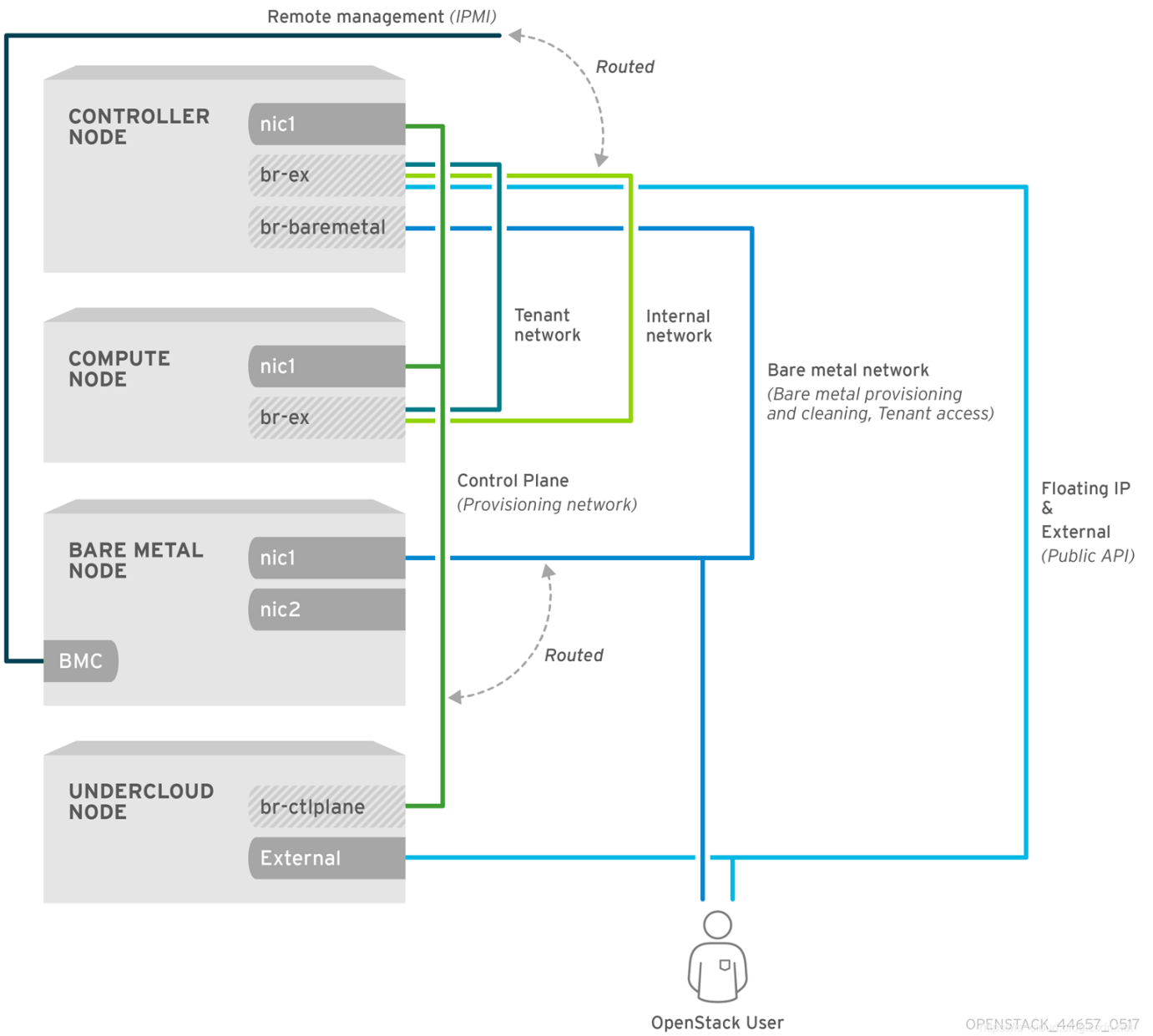
- 가 Neutron
- Ironic VLAN
- VLAN

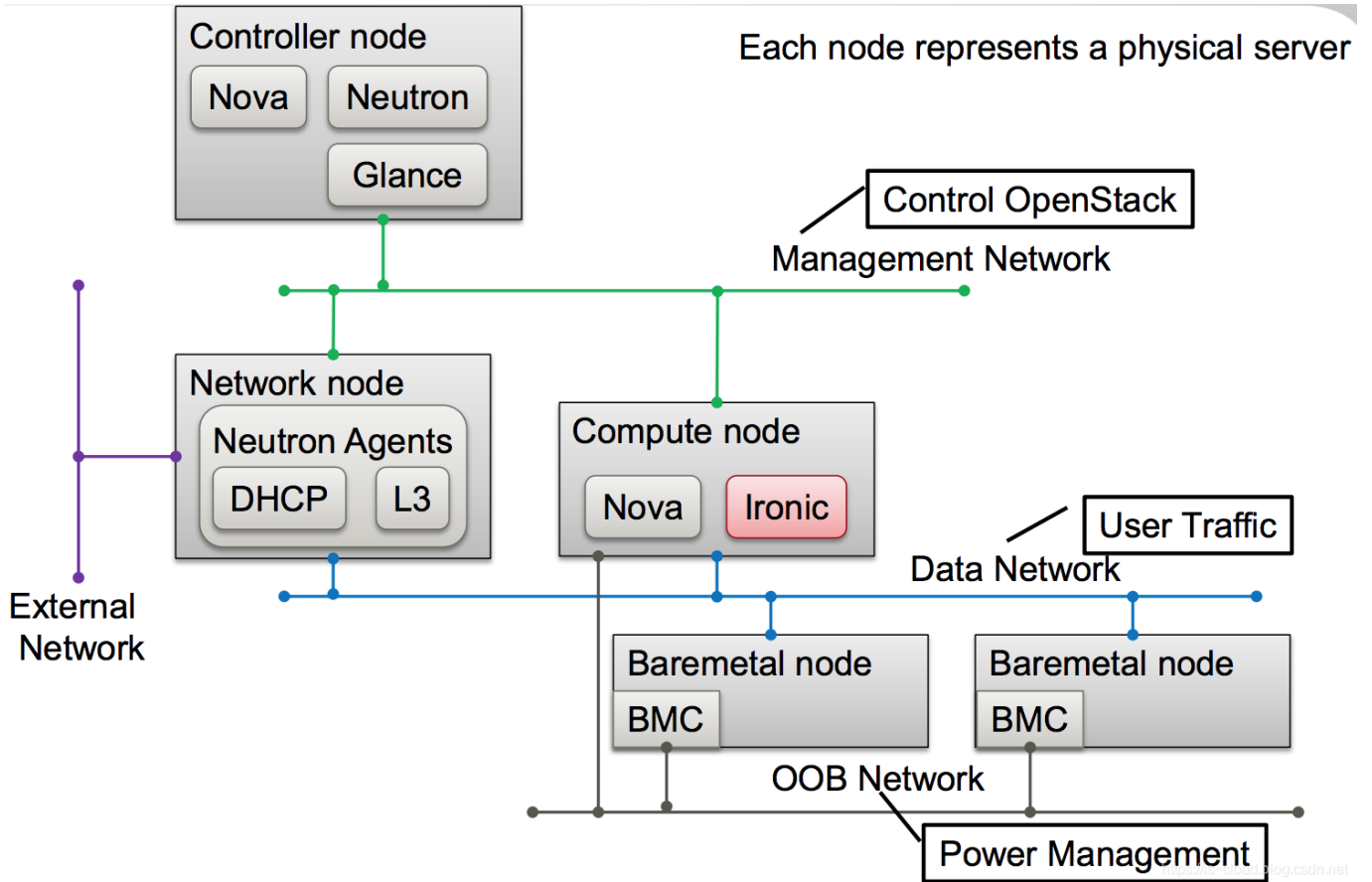
Tenant Network

Tenant Network: “ ” ,

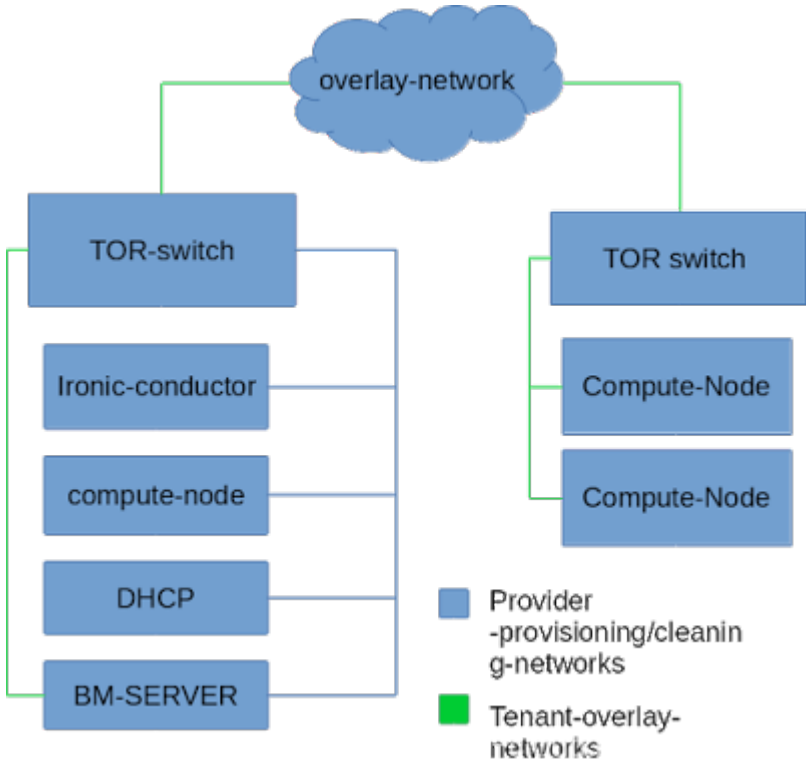
가 . (.)

- 가 Neutron
- VLAN





- **Management Network:** OpenStack
- **External Network:**
- **Data Network:** OpenStack
- **OOB (Out-of-Band) Network:** IPMI



- **Tenant Network:** “ ”
- **Provider Networks:** ,
- **Ironic Conductor:** “ ” Ironic , PXE TFTP
- **DHCP Server:** “ ” IP , PXE DHCP
- **Top of Rack Switch:** “ ” 가 , (, Ironic Conductor)
- **Bare-metal Server:** “ ”

Neutron

- **Supporting Port-Groups:** 가 (: BOND/LAG). Neutron
- **PXE (DHCP):** 가 PXE Neutron TFTP 가 . Ironic (Neutron `extra_dhcp_opt`). Neutron DHCP PXE DHCP

Neutron

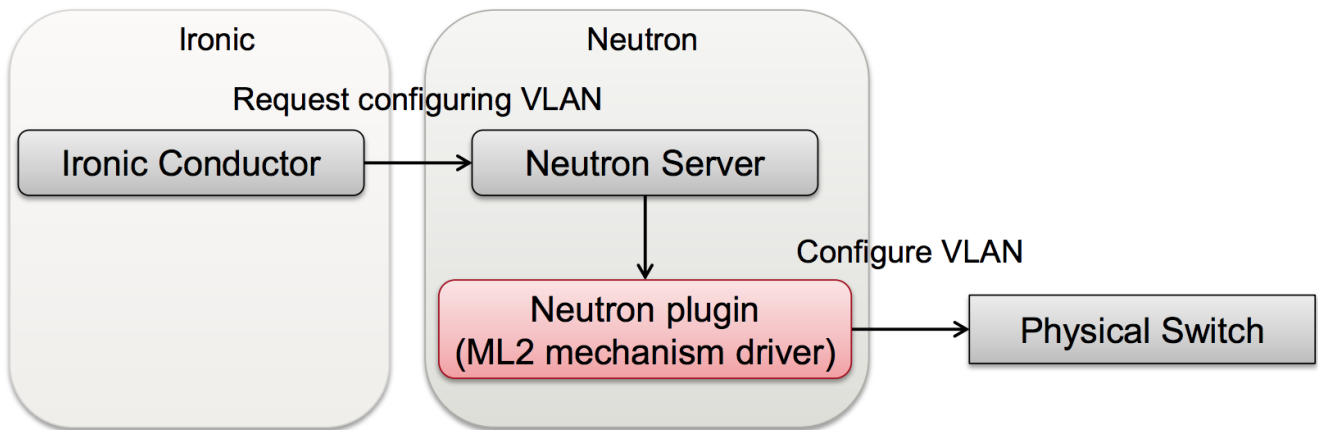
Neutron : Ironic Neutron “ ” Neutron (lport) 가 가 :

- **local_link_information:** lport binding-profile , Neutron 가 TOR
 :
 ◦ **switch_id:** 가 . MAC OpenFlow
 datapath_id
 ◦ **port_id:**
 ◦ **switch_info:** () .
- **port-groups:** TOR LAG/BOND .

Neutron

lport

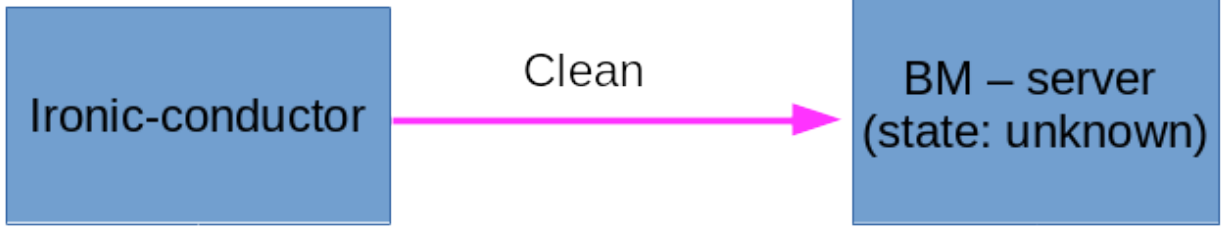
DHCP : Ironic Neutron `extra_dhcp_option` DHCP가 PXE
 (: TFTP DHCP). Neutron ML2
 DHCP 가 .



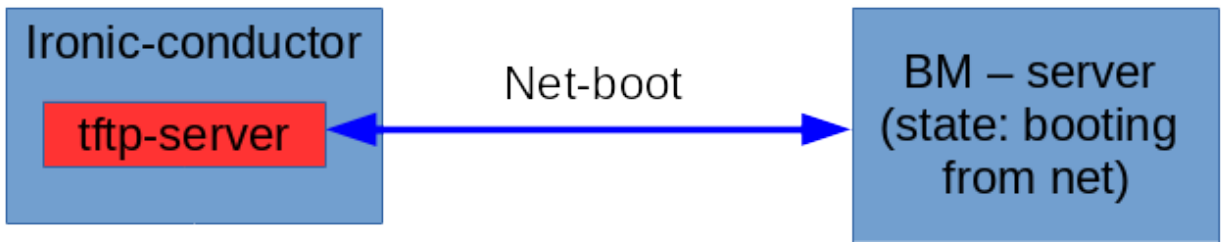
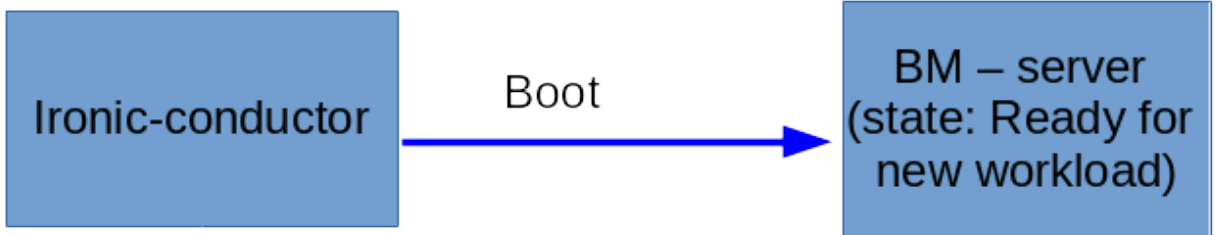
<https://is-cloud.blog.csdn.net>

- Neutron VLAN
- ML2 .

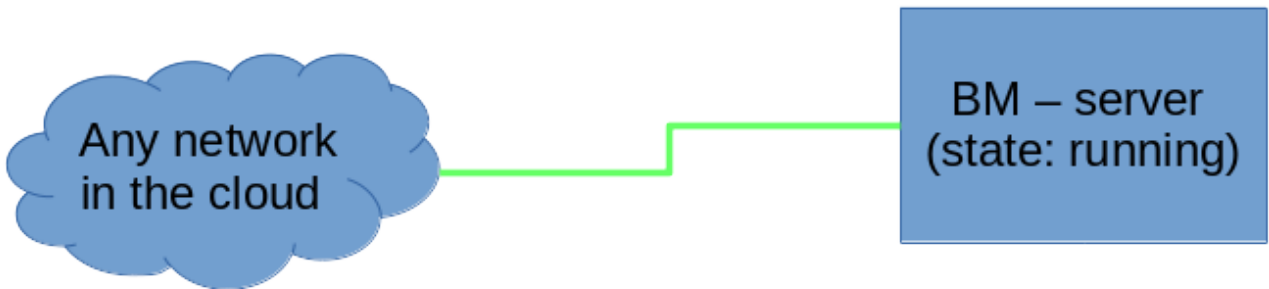
Cleaning:



Provisioning:



Connect to tenant network :



Cleaning:

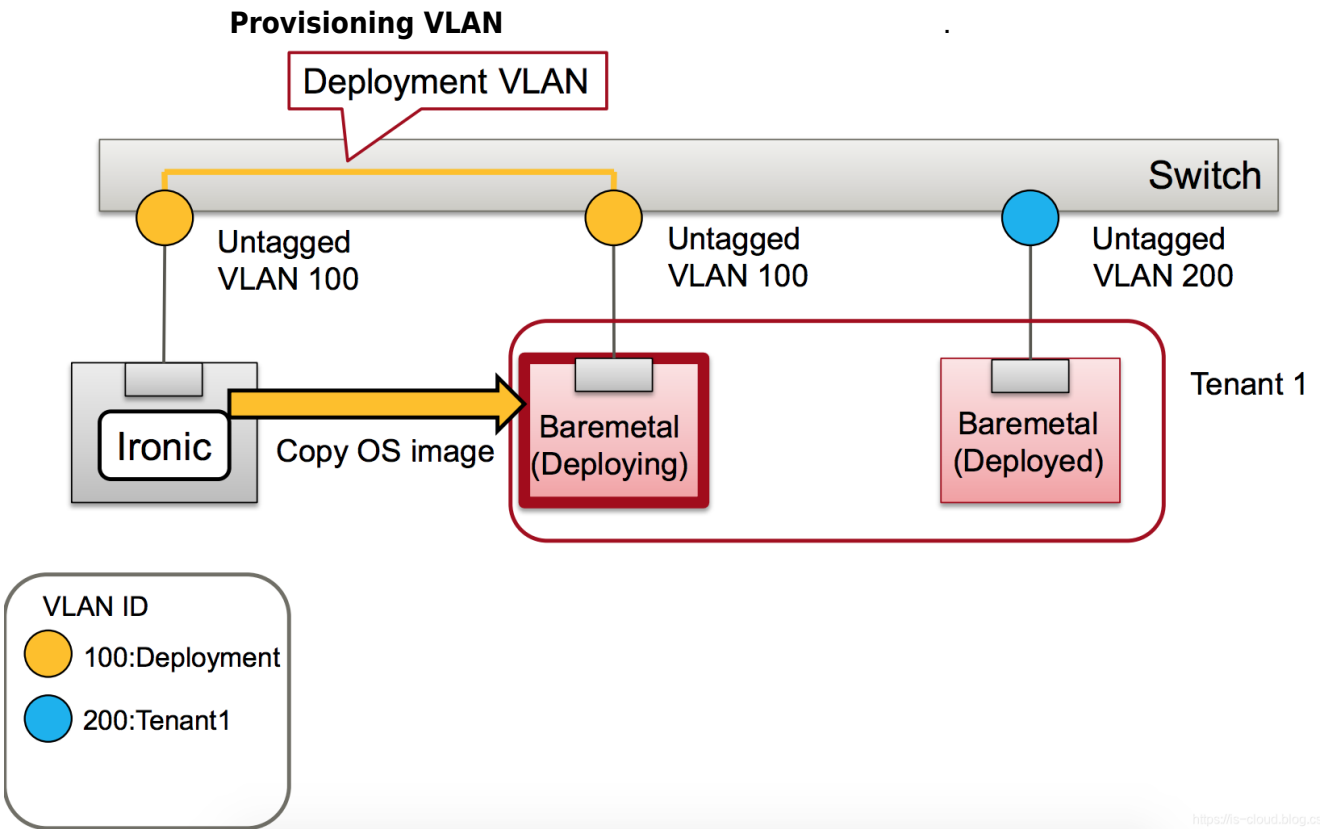
Beck to first step

- cleaning-network
- Provision network
- Tenant network

1. **Cleaning:** (IPMI)
2. **Provisioning:** Ironic-conductor (PXE , PXE)
 - o DHCP TFTP
 - o TFTP

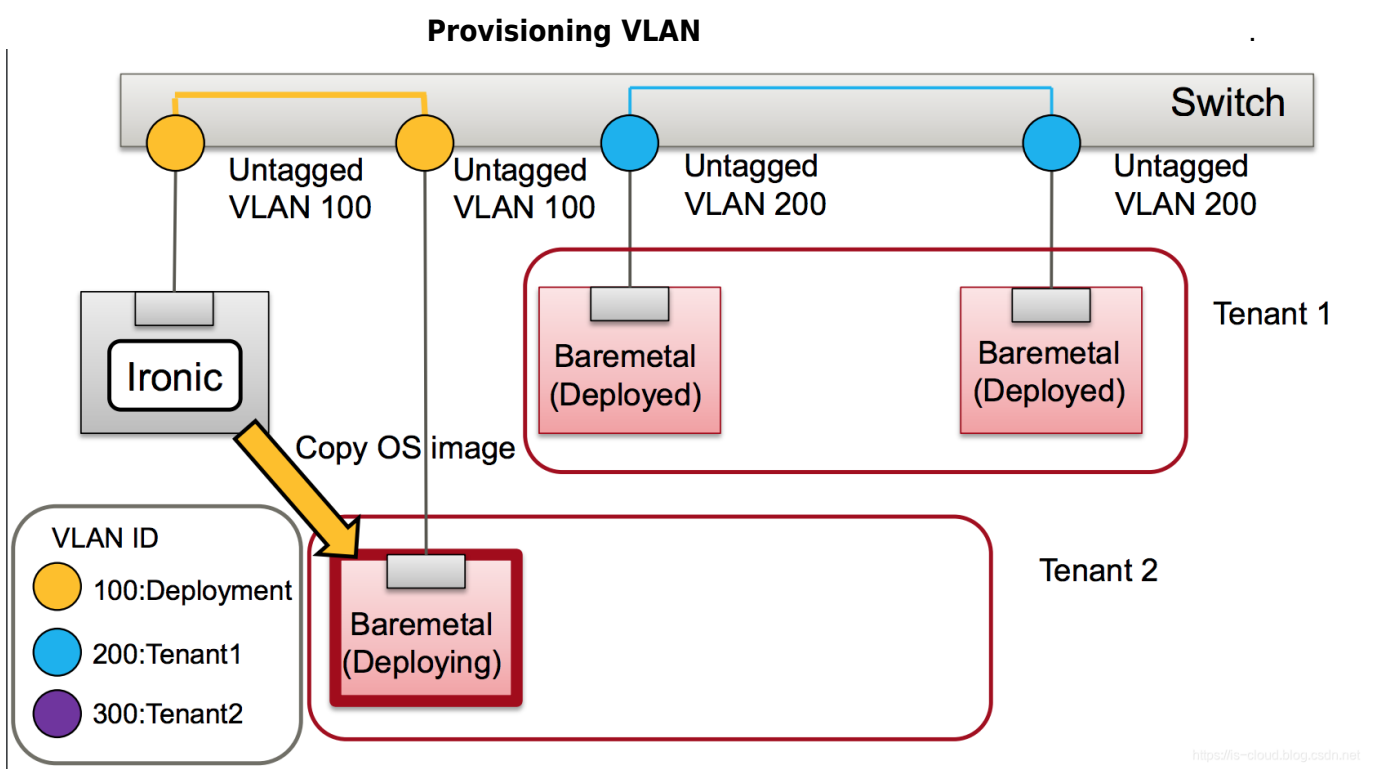
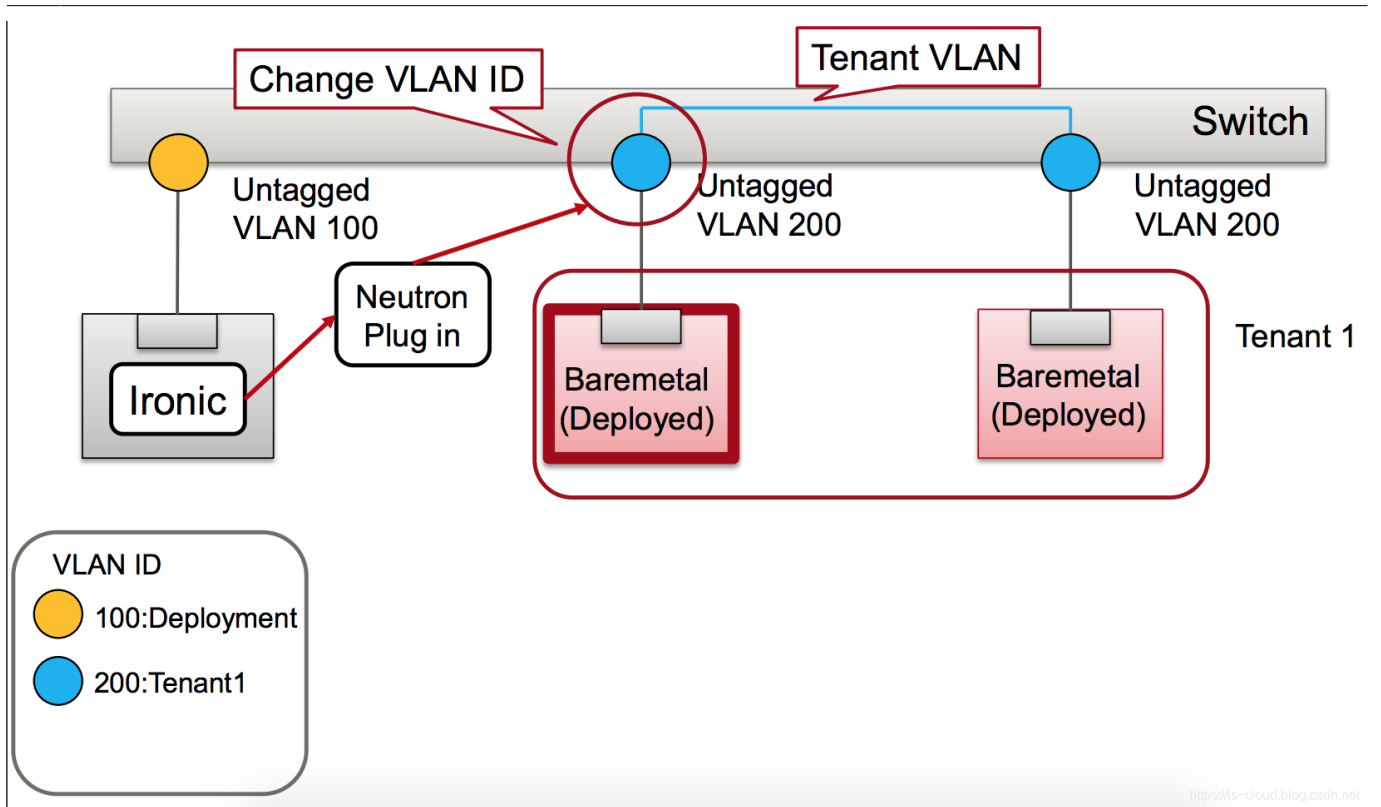
3. : “ ” 가
 (e.g. VM, SNAT, DNAT)
 ○ Ironic
 Ironic-conductor

4. **Cleaning:** 1 ...

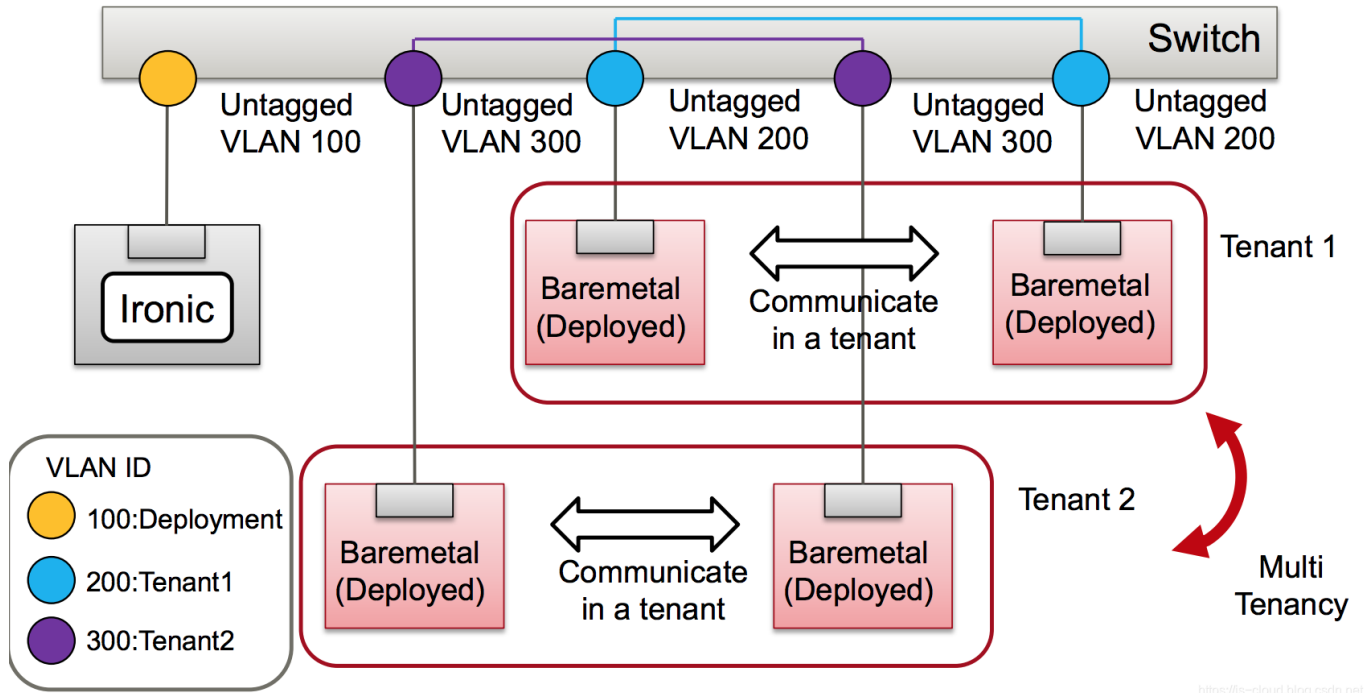


가 , Ironic VLAN ID

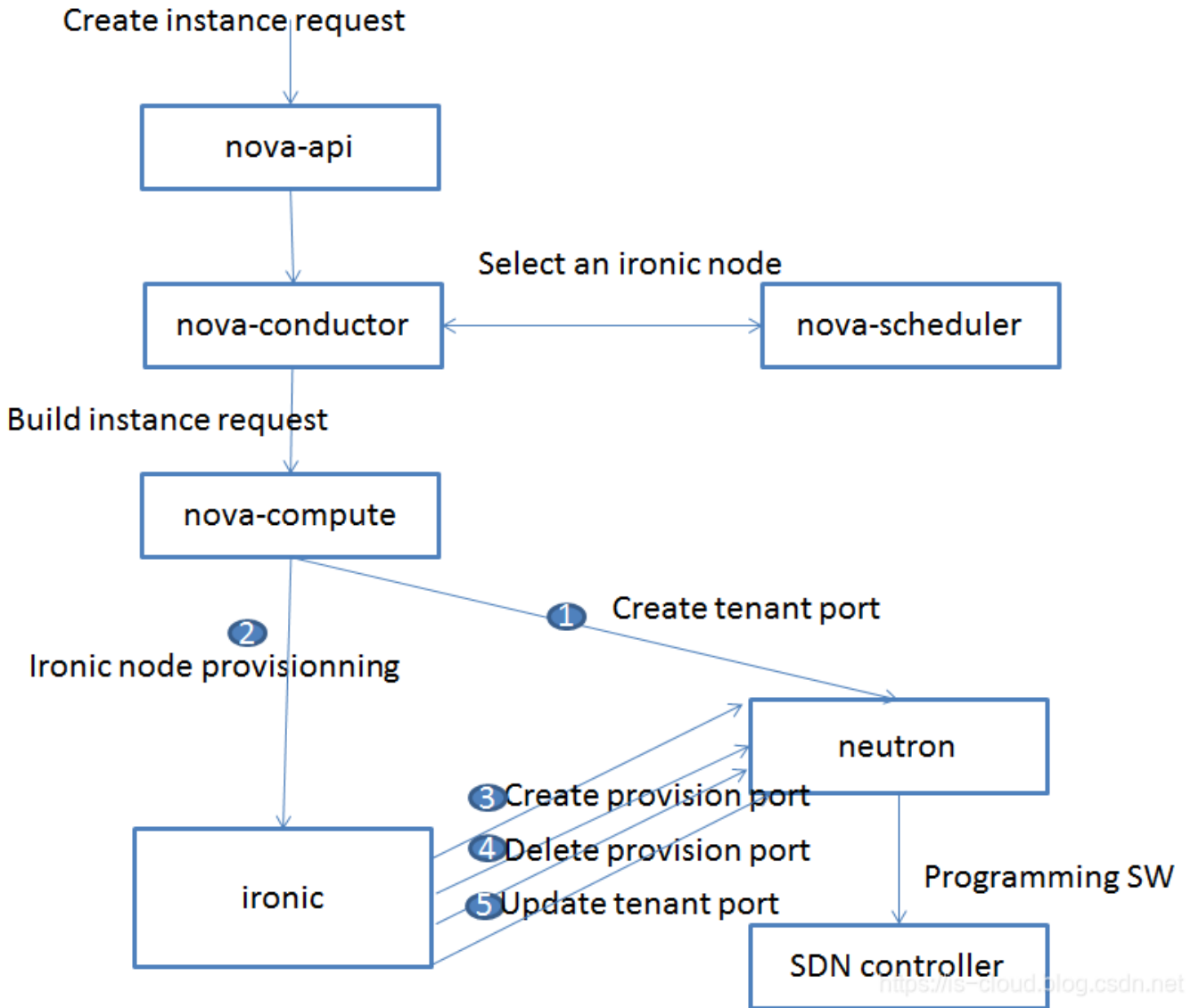
가 VLAN



VLAN Ironic



SDN



: Tenant Port 가
 . Tenant Port Ironic Port Port Group Port Group
 . (Ironic Port) Port Group Ironic Port MAC
 , Port Group MAC Ironic Port Group MAC Ironic
 Port Port Group Port Group 가
 Port Group 가 Port Group

1. nova-compute Ironic API
2. ironic-conductor ironic-conductor
ironic-api가 Ring HASH 가
3. ironic-conductor SDN LLDP Provision Port
LLDP 가
4. 가 , ironic-conductor Provision Port
가
5. ironic-conductor Port Group Ironic Port LLDP Tenant

Port

SDN

LLDP

가

- <https://www.cnblogs.com/jmilkfan-fanguiju/p/11825061.html>
- [linuxconjapan2015-shiina.pdf](#)

From: <https://at.kr/dokuwiki/> - AllThatLinux!
Permanent link: https://at.kr/dokuwiki/doku.php/ironic_%EB%82%A0%EC%96%B4%EB%A9%94%ED%83%B8_%EA%B4%B0%EB%A6%AC_%EC%84%9C%EB%B9%84%EC%8A%A4%EC%9D%98_%EB%84%A4%ED%8A%BB%EC%9B%8C%ED%81%AC_%EB%AA%A8%EB%8D%B8?rev=1728629657
Last update: 2024/10/11 06:54

