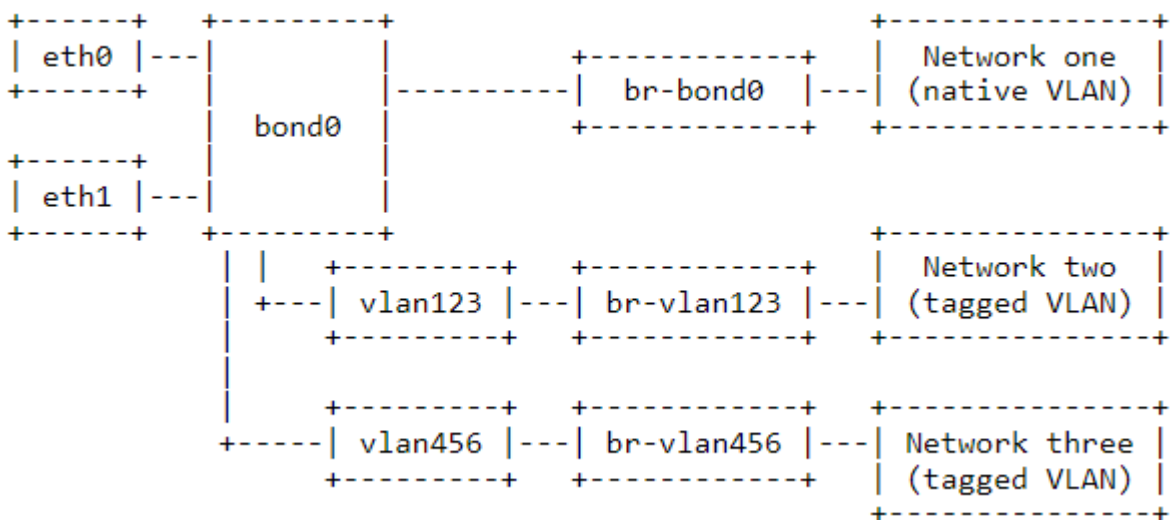
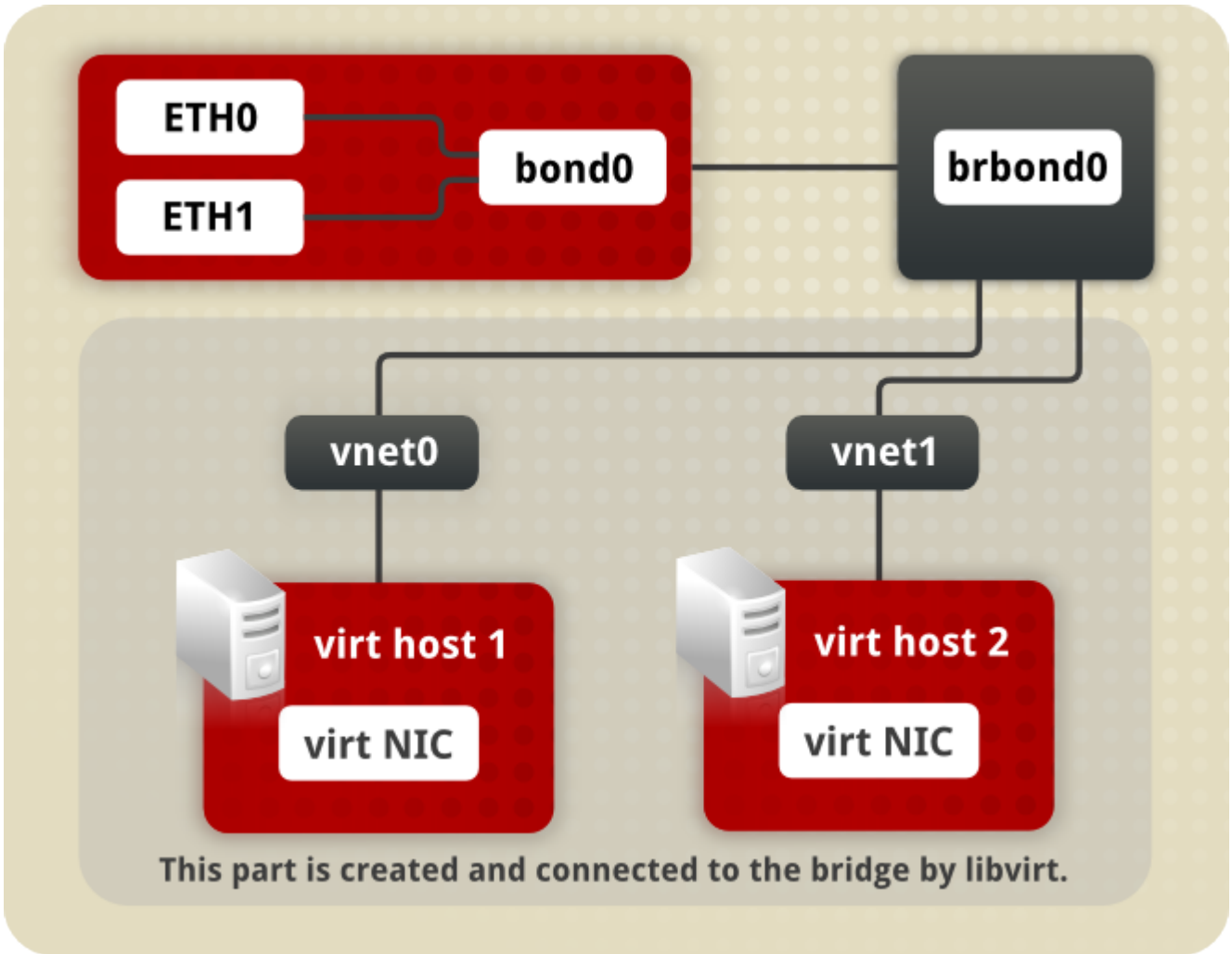


- Bond-Bridge** ..... 3
- Bridge** ..... 4
- Bond Inteface**      **Bridge** ..... 4
- VLAN** ..... 5
- VLAN ..... 5
- ..... 6



# Bond-Bridge



interface 2 bonding 가 .

bond interface bridge

linux network (ifconfig)

NetworkManager

nmtui      Bridge    Slave interface    bond interface      가  
NetworkManager

nmtui                      nmcli                      .

## Bridge

Bridge Interface                      .

br-ext      Bridge                      .

```
BRIDGE=br-ext  
BRIDGE_STP=yes  
BRIDGE_MTU=1500
```

```
nmcli con add ifname "${BRIDGE}" type bridge con-name "${BRIDGE}"
```

```
### STP    MTU
```

```
nmcli con modify "${BRIDGE}" bridge.stp "${BRIDGE_STP}"
```

```
nmcli con modify "${BRIDGE}" 802-3-ethernet.mtu "${BRIDGE_MTU}"
```

IP                      .

```
nmcli con modify "${BRIDGE}" ipv4.method static ipv4.address  
192.168.0.123/24 ipv6.method ignore
```

```
### IP
```

```
nmcli con modify "${BRIDGE}" ipv4.method disabled ipv6.method ignore
```

```
nmcli con up "${BRIDGE}"
```

```
nmcli con  
brctl show
```

## Bond Inteface

## Bridge

```
BOND=bond0  
BOND_SLAVE0=eth0  
BOND_SLAVE1=eth1  
BOND_MODE=active-backup  
BOND_MTU=9000
```

```
nmcli con add type bond ifname "${BOND}" con-name "${BOND}"
nmcli con modify "${BOND}" bond.options mode="${BOND_MODE}"
nmcli con modify "${BOND}" 802-3-ethernet.mtu "${BOND_MTU}"
nmcli con add type ethernet con-name "${BOND}-slave-${BOND_SLAVE0}" ifname
"${BOND_SLAVE0}" master "${BOND}"
nmcli con add type ethernet con-name "${BOND}-slave-${BOND_SLAVE1}" ifname
"${BOND_SLAVE1}" master "${BOND}"
nmcli con modify "${BOND}-slave-${BOND_SLAVE0}" 802-3-ethernet.mtu
"${BOND_MTU}"
nmcli con modify "${BOND}-slave-${BOND_SLAVE1}" 802-3-ethernet.mtu
"${BOND_MTU}"
```

bond

```
nmcli con modify "${BOND}" master "${BRIDGE}" slave-type bridge
nmcli con up "${BOND}"

cat /proc/net/bonding/bond0

nmcli con
ls /sys/class/net/br-bond0/brif/
brctl show
```

## VLAN

```
VLAN=123
BOND=bond0
BRIDGE=br-vlan${VLAN}
BRIDGE_STP=yes
BRIDGE_MTU=9000

nmcli con add ifname "${BRIDGE}" type bridge con-name "${BRIDGE}"
nmcli con modify "${BRIDGE}" bridge.stp "${BRIDGE_STP}"
nmcli con modify "${BRIDGE}" 802-3-ethernet.mtu "${BRIDGE_MTU}"

nmcli con up "${BRIDGE}"
```

## VLAN

```
nmcli con add type vlan con-name "${BOND}.${VLAN}" ifname "${BOND}.${VLAN}"
dev "${BOND}" id "${VLAN}"
nmcli con modify "${BOND}.${VLAN}" master "${BRIDGE}" slave-type bridge
nmcli con modify "${BOND}.${VLAN}" 802-3-ethernet.mtu "${BRIDGE_MTU}"

nmcli con
```

```
brctl show
```

- <https://blog.christophersmart.com/2020/08/29/how-to-create-bridges-on-bonds-with-and-without-vlans-using-networkmanager/>

From:

<https://at1.kr/dokuwiki/> - **AllThatLinux!**

Permanent link:

[https://at1.kr/dokuwiki/doku.php/bond-bridge\\_%EC%83%9D%EC%84%B1?rev=1645612654](https://at1.kr/dokuwiki/doku.php/bond-bridge_%EC%83%9D%EC%84%B1?rev=1645612654)

Last update: **2022/02/23 10:37**

